

# DSD Hardware



## DSD Multi-point Lock System and Lever Lock Sets



[www.theDSgroup.com](http://www.theDSgroup.com)

**Tomorrow's Innovative Solutions for Today's Doors & Windows**

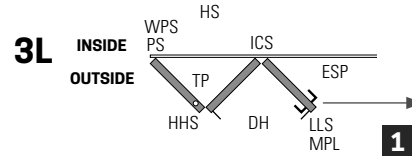
The DS Group Of Companies: Draftseal®, Kristrack®, Eclipse Architectural® & DSD Hardware

**DSD Multi-point Lock System and Lever Lock Sets • Revision (7) March 8, 2016**

This catalogue may not be up to date. Always refer to website for most up to date content.

# Top 6 Cool Custom Features Of The MK2 DSD Multi-Point Door Locks

- » 3 and 4 hook models
- » Adjustable Stainless Steel strikers
- » 45mm back set centre cases
- » Single and double door locks
- » 6'8" (2032mm) and 8' (2438mm) product models
- » Easy modification for custom door heights
- » Compliant to DP100 hurricane testing (Dade County)
- » Compatible with North American key-way and Euro-cylinder applications
- » Complementary range of Lever Lock Sets in a choice of finishes
- » 10 year mechanical breakdown guarantee on all MK2 Multi-point products
- » 10 year surface finish guarantee on all PVD finish/Brass Lever Lock Sets
- » Fasteners for attaching Multi-point to Door Stile are included.



6

1

3

2

5

4

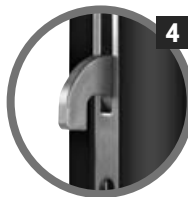
1

6



**1 High Security Hooks  
304 SS**

Ensuring even distribution of weatherproofing and strength



**4 Opposing Centre Hook 304 SS**

Optimizes anti-separation security



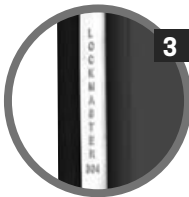
**2 Quick Change Reversible Latch 304 SS**

Fast and simple handing for Lockmaster

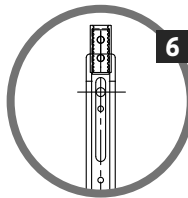


**5 Anti-slam Mechanism**

Prevents accidental operation of the lock when open



**3 Grade 304 Stainless Steel Faceplate**



**6 Shootbolt Extensions**

Delivering enhanced performance

This photo portrays a short sample lock made for promotional purposes only.

# MK2 Multi-point Door Locks



**DSSPLSP212AS45-60**  
4 hooks model with optional shootbolts top & bottom.  
Stock size 96" (2438mm)

**DSSPLSP210AS45-60**  
3 hook model with optional shootbolts top & bottom.  
Stock size 79" (2006mm)

**DSSPLSP211-45-60**  
inactive shootbolt lock with shootbolts top & bottom. 79" (2006mm)  
**DSSPLSP213-45-60**  
inactive shootbolt lock with shootbolts top & bottom. 96" (2438mm)

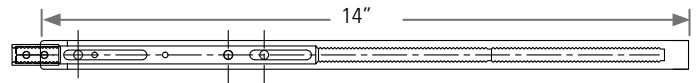
**Face plate extensions available for door heights of 79-1/6" to 95-15/16" and 96-1/16" +**



Anti-Slam Feature

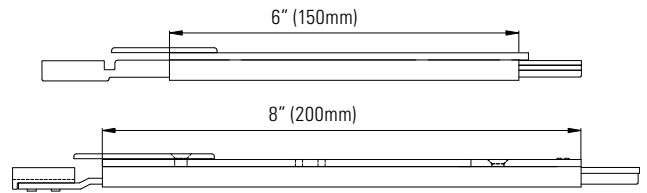


High Security Hooks (304SS)



Face Plate Extension (304 SS) **DSSPL2325-60**

**EC3HSPSCREW** (#8 x 32 x 3/4" SS) for fastening Strike Plates



Top and Bottom Shootbolts (304 SS) **DSSPLSB100-60**

Top unit 6" 150mm length. Bottom unit 8" 200mm length (Supplied as a pair)

One hook models not shown:

**DSSPLSP214AS45-60/79"** &  
**DSSPLSP215AS45-60/96"**

\* **PLEASE NOTE:** Order Shootbolts Separately From Multipoint

# MK1 & MK2 Multi-point Door Lock Accessories

## DSSPLK654

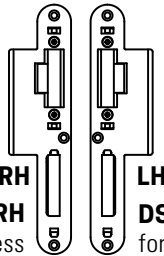
Adjustable hook strike brushed (304 SS)



## Adjustable strike plates brushed (304 SS)

**NOTE:** Handing of Strike Plates (RH or LH) are determined by viewing from exterior side.

### Panel to Panel Strike

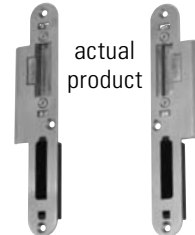


#### DSSPLK730-60RH

for 2-1/4" door thickness

#### DSSPLK729-60LH

for 2-1/4" door thickness



actual product

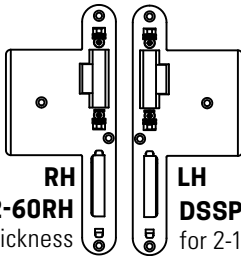
#### DSSPLK717-60 (RH)

for 1-3/4" door thickness

#### DSSPLK716-60 (LH)

for 1-3/4" door thickness

### Extended Jamb Strike



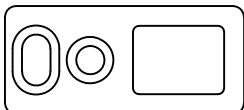
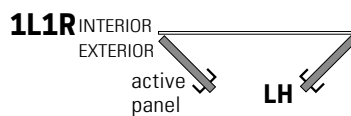
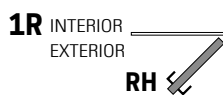
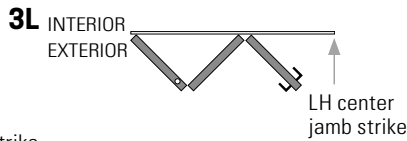
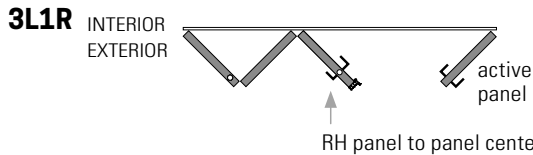
#### DSSPLK732-60RH

for 2-1/4" door thickness

#### DSSPLK731-60LH

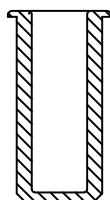
for 2-1/4" door thickness

### Determining RH or LH Center Strikes for Outswing Folding Doors



## DSSPLK678

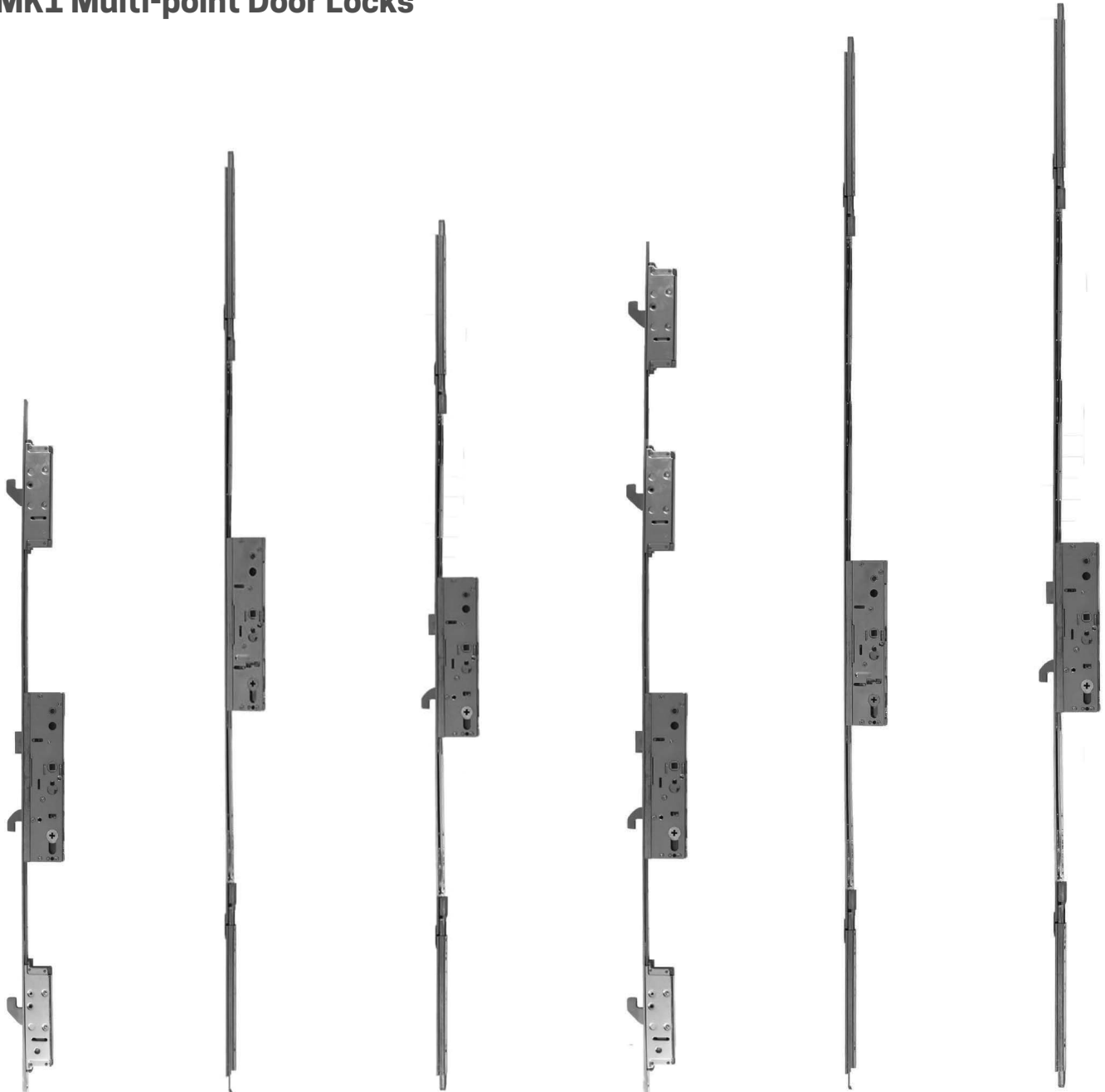
Stainless strike plate for shoot bolts.



## DS2351CUP

Plastic (nylon back) shootbolt cup.

# MK1 Multi-point Door Locks



**DSSPLSP188HK45**  
79"

**DSSPLSP18945**  
79"

**DSSPLSP193HK45**  
79"

**DSSPLSP190HK45**  
95"

**DSSPLSP19145**  
93"

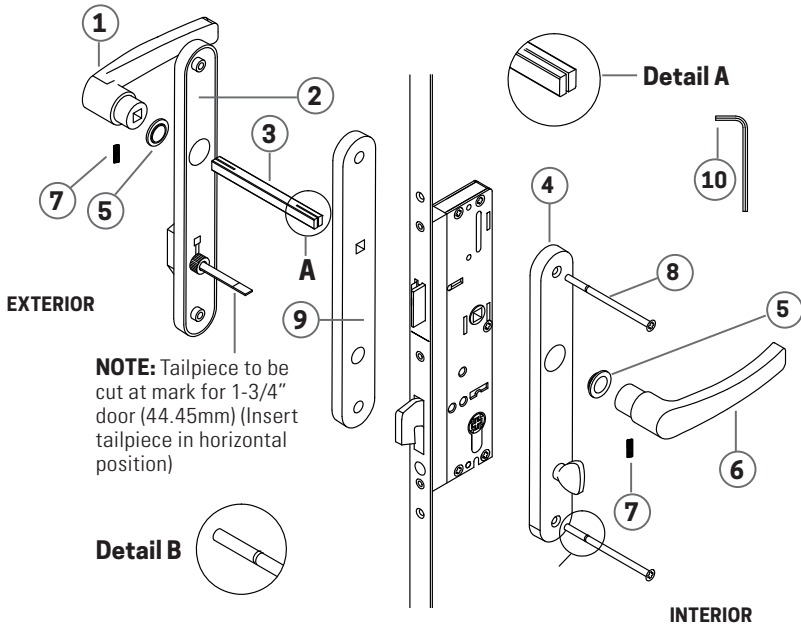
**DSSPLSP194HK45**  
93"

Screws included with all products shown on this page.

\* **PLEASE NOTE:** Order shootbolts separately from Multipoint

# DSD Hardware Lever Set Details

**NOTE:** All lever sets in this brochure are used in conjunction with the DSD Multipoint Door Lock.



ITEM #	QTY	DESCRIPTION	NOTES
1	1	left hand lever grip	grub screw hole to the underside of lever
2	1	external lever back-plate	insert gasket 9 firmly into back-plate
3	2	lever spindle	2 size spindles supplied, to suit 1-3/4" & 2-1/4" door (44.45 & 57.15mm)
4	1	internal lever back-plate	-
5	2	nylon bush	-
6	1	right hand lever grip	grub screw hole to the underside of lever
7	2	allen key grub screw	screws to be tightened into spindle slot (detail A)
8	2	m5 x 70mm screws	screws to be cut at mark to suit 1-3/4" door (detail B)
9	1	external gasket seal	insert gasket firmly into external back-plate
10	1	allen key	-

## Lever Lock Sets

**C3 FERRARO-2 SERIES** 3 finishes available

- » Non handed
- » Fits 1-3/4" (44.45mm) or 2-1/4" (57.15mm) door thickness
- » Active or Inactive sets (30mm)
- » Ferraro back plate 30mm
- » Schlage Key way or Euro-cylinder



Satin Powder Coat



Black Powder Coat



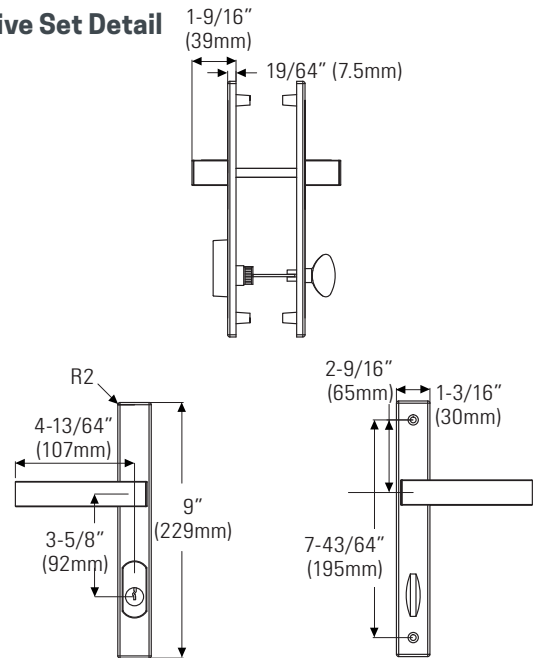
Bronze Powder Coat

**DSPF1341-87SC** (active)  
**DSPF1342-87SC** (inactive)

**DSPF1341-06BL** (active)  
**DSPF1342-06BL** (inactive)

**DSPF1341-79BR** (active)  
**DSPF1342-79BR** (inactive)

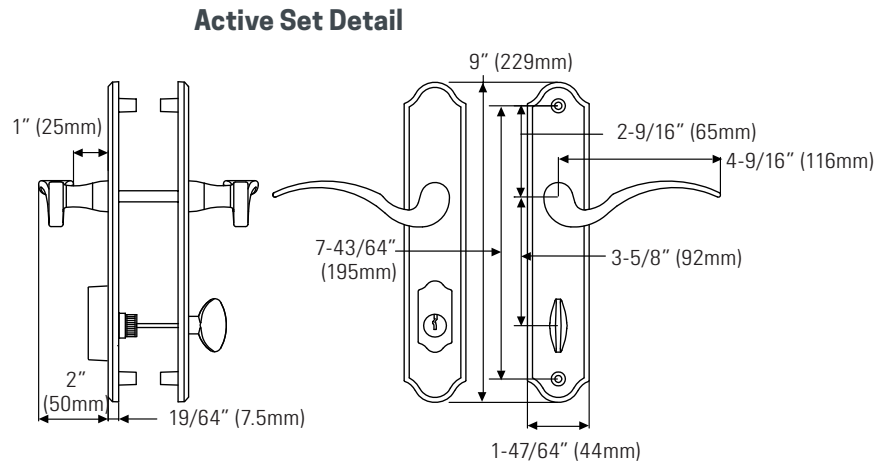
### Active Set Detail



**PLEASE NOTE:** For technical reasons associated with color reproduction, the colors shown on this brochure give only an indication of color & finish. No warranty or guarantee can be given that they will exactly match the product as supplied.

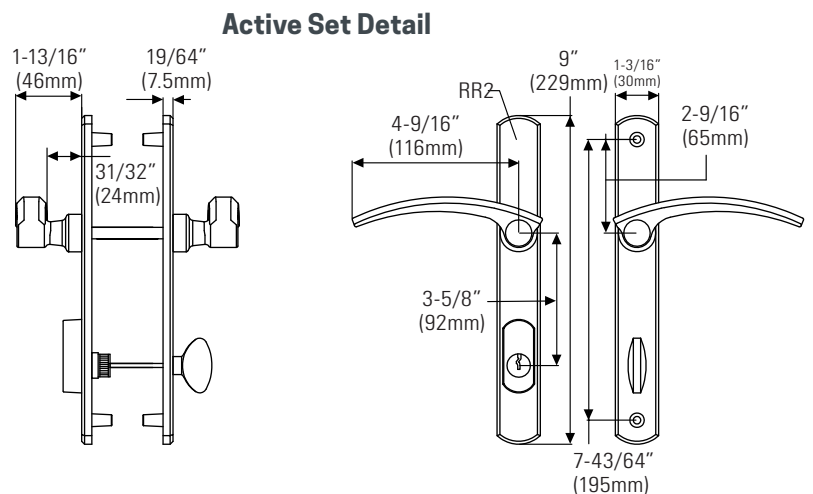
## FLORENCE SERIES (Scrolled)

- » Non handed
- » Fits 1-3/4" (44.45mm) or 2-1/4" (57.15mm) door thickness
- » Active or Inactive sets
- » Active sets: 44mm back plate
- » Schlage Key way or Euro-cylinder



## FAENZA SERIES (Swept)

- » Non handed
- » Fits 1-3/4" (44.45mm) or 2-1/4" (57.15mm) door thickness
- » Active or Inactive sets
- » Active sets: 30mm back plate
- » Schlage Key way or Euro-cylinder



**PLEASE NOTE:** For technical reasons associated with color reproduction, the colors shown on this brochure give only an indication of color & finish. No warranty or guarantee can be given that they will exactly match the product as supplied.



**DSGroup®**

[www.theDSgroup.com](http://www.theDSgroup.com)

**Tomorrow's Innovative Solutions for Today's Doors & Windows**

The DS Group Of Companies: Draftseal®, Kristrack®, Eclipse Architectural® & DSD Hardware

**Head Office & Manufacturing Centre, Vancouver, Canada**

7470 Buller Avenue, Burnaby, B.C. V5J 4S5 Canada

Phone: (604) 451-1080 • Fax: (604) 451-1140 • [info@theDSgroup.com](mailto:info@theDSgroup.com)

Outside Vancouver, B.C., please use our toll free numbers: Phone: 1-888-520-9009 Fax: 1-800-567-2887

**Branch Office & Distribution Centre, Toronto, Canada**

Phone head office toll free 1-888-520-9009 for branch address

**Branch Office & Distribution Centre, Los Angeles, California**

Phone head office toll free 1-888-520-9009 for branch address

**Eclipse Architectural® Corporate Showrooms**

Vancouver & Toronto, Canada • Los Angeles, California, USA

THE DS GROUP IS THE BRAND IMAGE OF A.K. DRAFT SEAL LTD.